



# FRW-60 Fire Rated Glazing

Arrow Fire Services are specialists in fire rated glazing solutions. Our **FRW-60** is a timber framed fire rated window providing one hour of integrity and 30 minutes of insulation protection with perfectly clear Pilkington Pyrostop™ insulating glass, with an FRL of -/60/30. The **FRW-60** is suitable for both internal and external applications.

## What We Do

Arrow Fire Services offers its customers a comprehensive range of market leading approved fire doors, fire windows and fire separation products for 'built in' fire protection systems.

The team at Arrow are committed to working closely with customers to provide cost effective and reliable solutions.

Our markets include:

- Multi occupancy buildings
- Hospitals / Hotels / Education
- Commercial / Industrial

Arrow Fire Services also provide an on-site installation service. Arrow Fire Services is compliant with the 'national code of practice' for the construction industry.

No matter how large or how small your business is, you'll experience the same attention to detail and the same high level of personalised service.

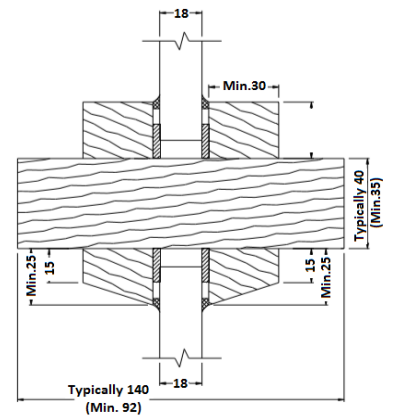
## Applications

The **FRW-60** is suitable whenever there is a need for integrity and insulation protection. The **FRW-60** will protect the building and occupants against the spread of fire due to radiant heat transmission.

## Features

- Fully certified to AS1530.4
- -/60-30 FRL using 18mm Pilkington Pyrostop™
- Hardwood Timber Frame
- Reduces radiant heat transmission by up to 98%
- Internal and external applications
- Light transmission comparable to 5mm float glass
- Class A impact rated to AS2208
- Multi pane system available using mullion and transom
- Frames can be painted, stained or lacquered

- Domestic houses
- Car parks
- Factories
- Boundary walls



Typical Frame Sections

Product	Nom. Thickness (mm)	Application	Integrity (mins)	Insulation (mins)	Sound Reduction (db)	Light transmission %	U-Value (W/m²k)	Approx. Weight (glass)	Approx. Weight (glass & frame)
Pyrostop™	18	Internal / External	60	30	38	85	5	42	55

## Approvals

All fire windows installed are inspected and labelled as required by the appropriate regulatory authorities. The 18mm Pilkington Pyrostop™ glazing is installed into an engineered hardwood frame providing a 60 minutes fire rating and integrity in accordance with the criteria of BS476: Part 22 and AS 1530: Part 4.

**AS 1530.4** Methods for fire tests on building materials, components and structures



## Contact Us

**ARROW FIRE SERVICES P/L**  
11G, 106 Old Pittwater Rd  
BROOKVALE, NSW, 2100

(02) 9938 4883  
admin@arrowfire.com.au

Visit us on the web:  
[www.arrowfire.com.au](http://www.arrowfire.com.au)

Arrow Fire Services Pty Ltd  
ABN 48 133 567 361

